

IDEO MEETING

ROUND TABLE FRAME WITH SOLID OAK LEGS

MEDIUM / 1100–1300 DIAMETER



OVERVIEW

The IDEO Medium Round Meeting Table was designed with innovation and attention to details in mind. It combines style and versatility through the combination of simple lines. It is a lightweight and practical table. The classic solid oak legs and metal footrest intersect without screws, giving it an appealing industrial look combined with a warm touch, making it a perfect fit for any environment.

Source your own top in a wide range of different materials, shapes and sizes.

FEATURES

Solid Oak Legs
Steel Cross Bar
Italian Designed & Manufactured
Choose your own top
10 Year Warranty

FINISH OPTIONS

Solid Oak Legs

SPECIFICATIONS

Frame Dimensions (mm)

O/A Height (With 25mm Table Top): 750~
O/A Height (Frame Only): 725~
O/A Length: 915~
O/A Width: 800~

Flat Pack Dimensions (mm):

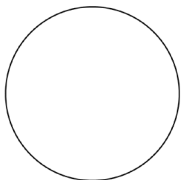
Frame Carton
O/A Height: 180~
O/A Length: 950~
O/A Width: 870~

Legs Carton
O/A Height: 85~
O/A Length: 800~
O/A Width: 240~

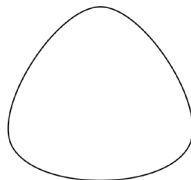


*Table top shown for demonstration only

TABLE TOP OPTIONS



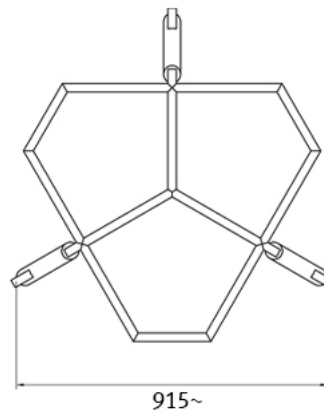
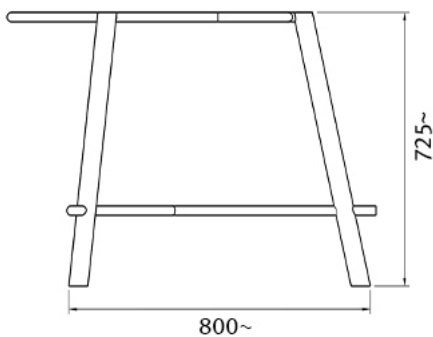
A



B

Diameter Options:
1100 – 1300mm~

FRAME DIMENSIONS (mm)



Please Note:

Measurements are related to the frame only (without table top) unless specified otherwise.
This product is shipped flat packed, simple assembly required. Instruction manual and bolts are included.



Due to constant innovation, Advanta products may be subject to design and specification changes without notice. Copyright © Advanta 2022